

MAX

P O W E R

CONTROL TO THE MAX

NEW SERIES



 **ECO** PROPORTIONAL

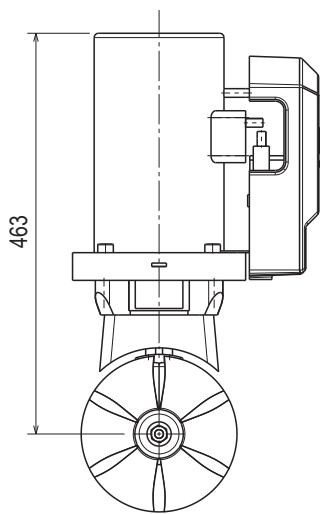
www.max-power.com

NEW SERIES

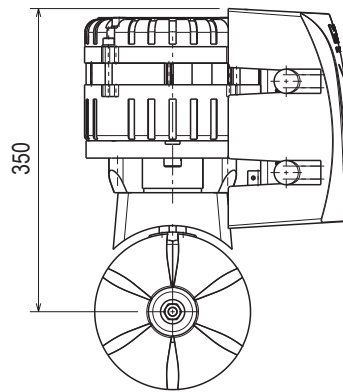
PROPORTIONAL

- ECO FRIENDLY
- FULLY PROPORTIONAL CONTROL
- UNLIMITED RUNTIME*
- COMPACT AND LIGHTWEIGHT

Conventional Thrusters



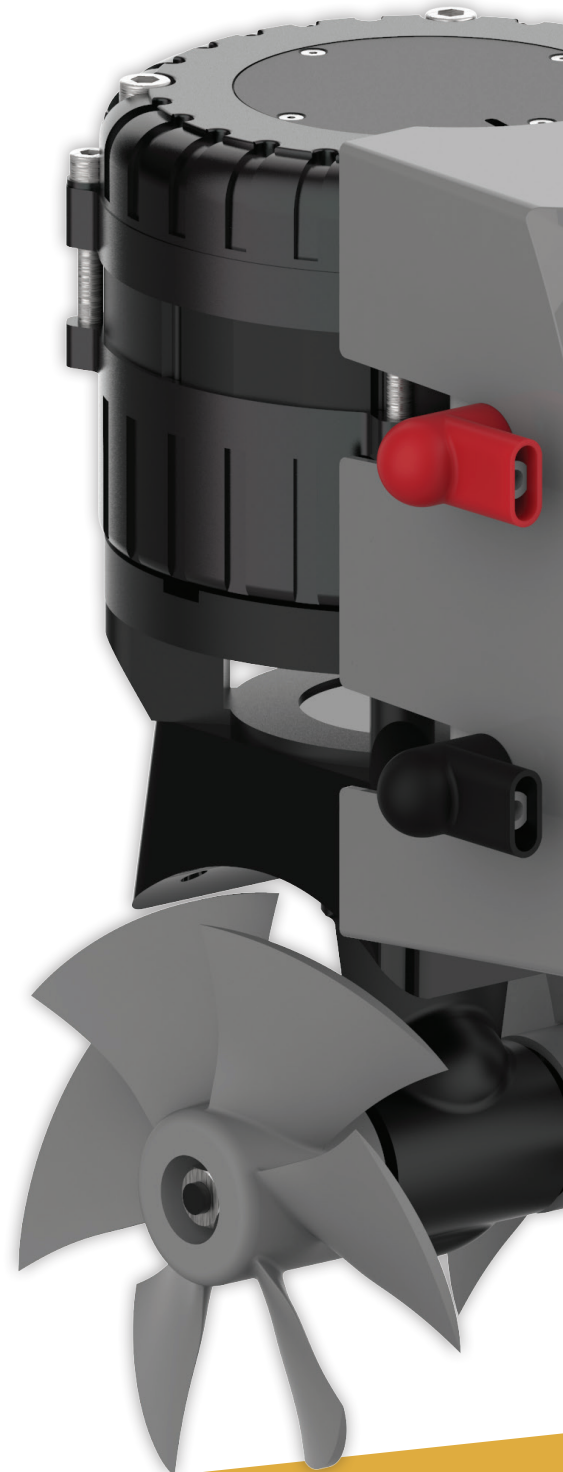
ECO PRO



Dimensions (mm)

*Until the battery runs out

Made in EU





- Improved performance and efficiency
- Longer lifespan and minimised maintenance
- Smoother and quieter operation, enhancing safety and comfort of crew and passengers
- Eco-friendliness resulting from reduced power consumption
- Compatibility and easy integration into existing thrusters
- Remote troubleshooting

BACKED BY OUR TEAM OF EXPERTS
for installation, maintenance, and repair services

Included

Proportional Joystick

Precise accuracy
with new joystick



Application
Modern mobile
application for
monitoring

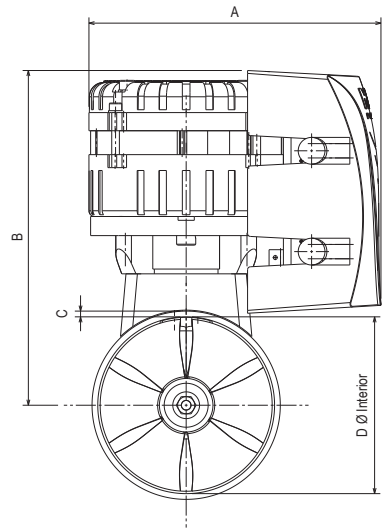


ECO PROPORTIONAL



MAX
POWER
CONTROL TO THE MAX

Dimensions
(mm)



Model	ECO-PRO 90	ECO-PRO 110	ECO-PRO 130	ECO-PRO 150	ECO-PRO 225
Code	636674	636675	636676	636763	636851
Voltage*	24 V	24 V	48 V	24 V	24 V
Thrust (Kg)	90	110	130	150	250
Propellers	Duo	Duo	Duo	Duo	Duo
Drive Leg (material)	Composite	Composite	Composite	Bronze	Bronze
Power (kw/hp)	5,3 / 7,1	6 / 8	8 / 10,7	9,5 / 13	14,96 / 20
Weight (kg)	25,7	25,7	25,7	31,4	35,5
A (mm)		306		306	306
B (mm)		350		382	404
C (mm)		6 to 7		7 to 8	7 to 8
D (mm)		185		250	250
Boat Type	Boat Length (feet/meter)				
Heavy Displacement / High Windage & Cruising	28' - 35' / 6 - 10,6 m	32' - 40' / 9,7 - 12 m	35' - 46' / 10,6 - 14 m	37,0' - 48,0' / 11,3 - 14,6 m	45' - 58' / 13,7 - 17,6 m
Medium Displacement / Medium Windage & Fast Cruising	30' - 40' / 9 - 12 m	36' - 48' / 11 - 14,6 m	42' - 55,5' / 12,8 - 17 m	44,0' - 57,5' / 13,4 - 18,0 m	53' - 69' / 16 - 21 m
Light Displacement, Light Windage & Super Fast Cruising	33' - 46' / 10 - 14 m	39' - 51' / 11,8 - 15,5 m	46' - 60' / 14 - 18 m	48,0' - 62,0' / 14,5 - 19,0 m	60' - 75' / 18 - 22,8 m